



# ASSEMBLY INSTRUCTIONS

## OVAL POOLS

### WITH SIDE SUPPORTS

### MODEL N

Dear Customer

Congratulations! You have purchased a pool of superior quality and durability. To achieve the best possible results, follow the instructions carefully. Failure to follow the installation procedures may result in damage to your pool or property and void your warranty. We recommend that you make a preliminary study of the instruction booklet to familiarize yourself with the different parts of your pool. Make sure that you understand each step thoroughly before you begin assembling.

We wish you a most pleasant and refreshing summer.

**We strongly recommend having your pool installed by a professional.**

***WARNING: Be sure you have read and understand the “Safety Information” sheets before you begin your pool installation.***



**WARNING: For your safety, your pool is not designed for diving and/or jumping head first. Please do not dive. Diving may result in permanent injury or death.**

# 1

## SITE PREPARATION

Chart 1.1 - Grass removal area (Figure 1.1)

TRUE POOL SIZE	MODEL	DISTANCE (A-B)	RADIUS (R)	WIDTH (D)	TOTAL LENGTH (E)	TRENCH (F)
2.46 x 4.14 m (8' 1" x 13' 7")	8'x14'	1.68m (5'-6")	1.40m (4'7 1/2")	2.75m (9')	4.45m (14'-7")	1.90m (6'-3 1/2")
2.46 x 4.72 m (8' 1" x 15' 6")	8'x16'	2.45m (7'-5")	1.40m (4'7 1/2")	2.75m (9')	5.03m (16'-6")	3.33m (10'-11")
2.46 x 5.82 m (8' 1" x 19' 1")	8'x19'	3.35m (11'-0")	1.40m (4'7 1/2")	2.75m (9')	6.12m (20'-1")	3.58m (11'-9")
3.05 x 4.72 m (10' x 15' 5-3/4")	10'x16'	1.68m (5'-6")	1.70m (5'7")	3.35m (11')	5.03m (16'-5 3/4")	1.90m (6'-3 1/2")
3.05 x 5.53 m (10' x 18' 2-1/2")	10'x18'	2.45m (8'-3")	1.70m (5'7")	3.35m (11')	5.85m (19'-2 1/2")	3.33m (10'-11")
3.05 x 6.38 m (10' x 20' 11-1/8")	10'x21'	3.35m (11'-0")	1.70m (5'7")	3.35m (11')	6.69m (21'-11")	3.33m (10'-11")
3.65 x 5.63 m (11' 11-1/2" x 18' 6")	12'x18'	1.98m (6'-6 1/2")	1.98m (6'6 3/4")	3.96m (13')	5.94m (19'-6")	1.90m (6'-3 1/2")
3.65 x 7.30 m (11' 11-1/2" x 23' 11-1/2")	12'x24'	3.65m (12'-0")	1.98m (6'6 3/4")	3.96m (13')	7.59m (24'-11 1/2")	3.58m (11'-9")
3.65 x 8.12 m (11' 11-1/2" x 26' 8-1/4")	12'x27'	4.47m (14'-8")	1.98m (6'6 3/4")	3.96m (13')	8.43m (27'-8 1/4")	5.23m (17'-2 1/2")
3.96 x 5.17 m (13' x 16' 11-3/4")	13'x17'	1.18m (3'-10 1/2")	2.13m (7')	4.27m (14')	5.48m (17'-11 3/4")	1.66m (5'-5 1/2")
3.96 x 6.83 m (13' x 22' 5")	13'x23'	2.84m (9'-3 3/4")	2.13m (7')	4.27m (14')	7.14m (23'-5")	3.33m (10'-11")
4.29 x 5.97 m (14' 1" x 19' 7")	14'x20'	1.68m (5'-6")	2.31m (7'7 1/2")	4.57m (15')	6.27m (20'-7")	1.90m (6'-3 1/2")
4.29 x 7.65 m (14' 1" x 25' 1")	14'x25'	3.35m (11'-0")	2.31m (7'7 1/2")	4.57m (15')	7.95m (26'-1")	3.58m (11'-9")
4.57 x 5.99 m (15' x 19' 8")	15'x20'	1.42m (4'-7 3/4")	2.44m (8')	4.88m (16')	6.30m (20'-8")	1.66m (5'-5 1/2")
4.57 x 7.65 m (15' x 25' 1-3/8")	15'x26'	3.07m (10'-1")	2.44m (8')	4.88m (16')	7.96m (26'-1 1/2")	3.33m (10'-11")
4.57 x 9.33 m (15' x 30' 7-1/4")	15'x31'	4.75m (15'-7")	2.44m (8')	4.88m (16')	9.64m (31'-7 1/4")	4.99m (16'-4 1/2")
4.85 x 8.08 m (15' 11" x 26' 6")	16'x26'	3.23m (10'-7 1/2")	2.59m (8'6 1/2")	5.18m (17')	8.38m (27'-6")	3.58m (11'-9")
4.85 x 9.75 m (15' 11" x 32' )	16'x32'	4.90m (16'-1")	2.59m (8'6 1/2")	5.18m (17')	10.05m (33')	5.23m (17'-2 1/2")
5.44 x 10.00 m (17' 10" x 32' 10")	18'x33'	4.57m (15'-0")	2.90m (9'-6")	5.79m (19')	10.31m (33'-10")	5.24m (16'-4 1/2")
5.44 x 11.61 m (17' 10" x 38' 4")	18'x38'	6.25m (20'-6")	2.90m (9'-6")	5.79m (19')	11.98m (39'-4")	6.90m (22'-8")
5.44 x 13.36 m (17' 10" x 43' 10")	18'x44'	7.92m (26'-0")	2.90m (9'-6")	5.79m (19')	13.66m (44'-10")	8.56m (28'-1 1/2")

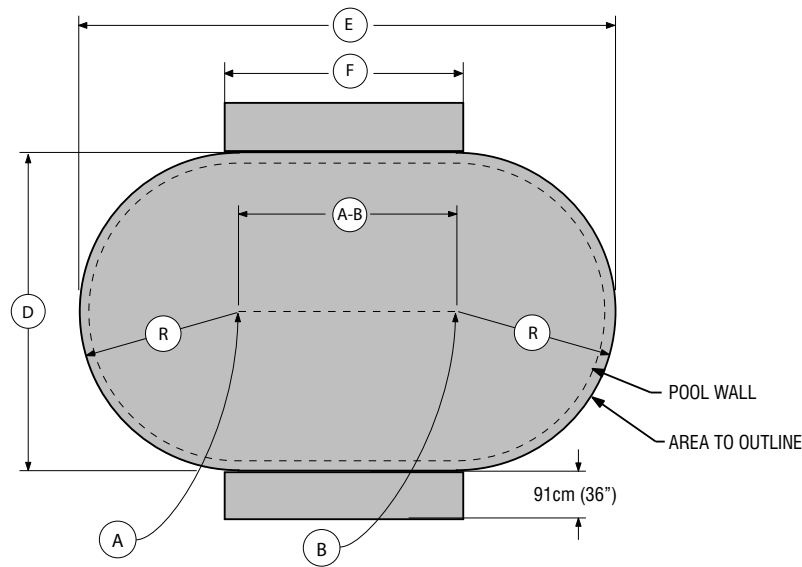
When selecting the site for your pool, take into account city by-laws regarding fences and utilities laws pertaining to electrical cables as well as the landscaping which you are planning once the pool is installed.

# 1

## SITE PREPARATION (continued)

- 1) Drive a stake into the ground at points A and B respecting the distance of the straight section between those two points (A-B).
- 2) Draw two half circles respecting the radius (R).
- 3) Join the two half circles with straight lines respecting the width between these two lines (D).
- 4) Verify that the total length is consistent. (E)
- 5) Add 89cm (36") wide trenches on each side, respecting the length (F)
- 6) Remove all grass from the area you have just outlined.

Figure 1.1



# 2

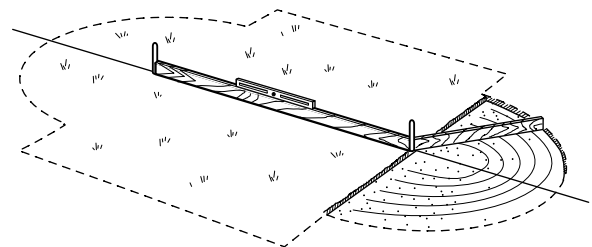
## SITE LEVELLING

### SITE LEVELLING

For an oval pool, the bottom must absolutely be levelled, using a carpenter's level and a straight plank. Eliminate any protrusions. Ensure that the surface is free of debris such as rocks, wood, etc.

### TRENCHES FOR BUTTRESS ASSEMBLIES

- 1) Dig trenches to a depth equal to the thickness of the patio blocks (2" thick slabs recommended). (Refer to illustrations for trench layout details).
- 2) Make sure trenches are smooth and leveled without compacting them.
- 3) Place and level patio blocks into trenches. Make sure that the top of the slab is level with the pool area. And bottom of framework must be level with pool area.



In order to ensure proper water drainage around the pool, a 2-degree slope needs to be erected around the perimeter of the pool. THE MANUFACTURER WILL NOT BE HELD RESPONSIBLE FOR ANY LIABILITY SHOULD THIS STEP BE OMITTED.

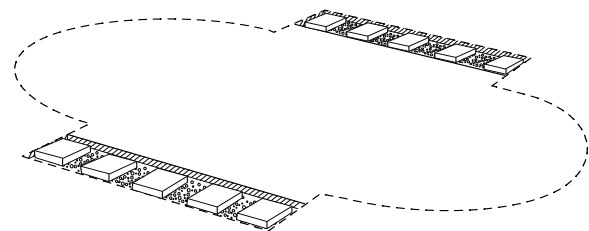


Chart: Sand quantity

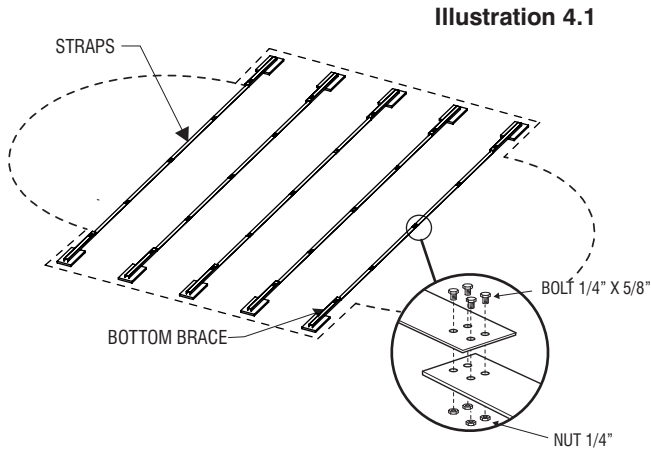
POOL SHAPE	8x14, 8x16, 8x19, 10x16, 10x 18	12x18, 12x24, 12x27, 13x17, 13x23, 14x20, 14x25, 15x20	15x26, 15x31, 16x26, 16x32, 18x33	18x38, 18x44
SAND	1 ton	1 - 1/2 tons	2 tons	3 tons



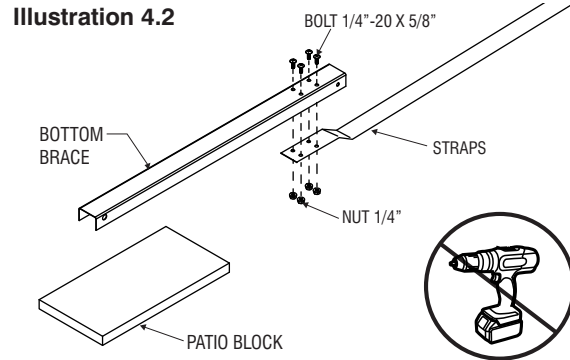
# 4

## TENSION STRAPS ASSEMBLY (continued)

**2) Refer to Illustration 4.1:** If there is more than one metallic strap per row, assemble the straps together using 4 bolts and nuts (BB) 1/4" #20 X 5/8" (6,35 mm X 15,88 mm), taking care of placing the bolt head on top.



**3) Refer to Illustration 4.2.:** Attach the assembled tension straps to bottom braces on both sides, using four (4) bolts and nuts (BB) 1/4" #20 X 5/8" (6,35 mm X 15,88 mm), taking care of placing the bolt head on top.



Do not use impact gun to screw the tension straps.  
Minimum torque force of 60 inch pounds to maximum of 85 inch pounds.

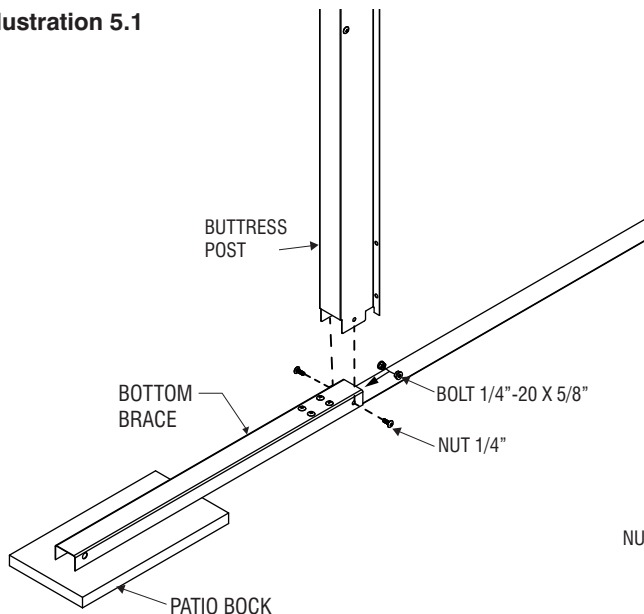
# 5

## BUTTRESS POSTS ASSEMBLY

**1) Refer to Illustration 5.1.** Assemble the buttress post to the bottom brace using two (2) bolts and nuts (BB) 1/4" #20 X 5/8" (6,35 mm X 15,88 mm).

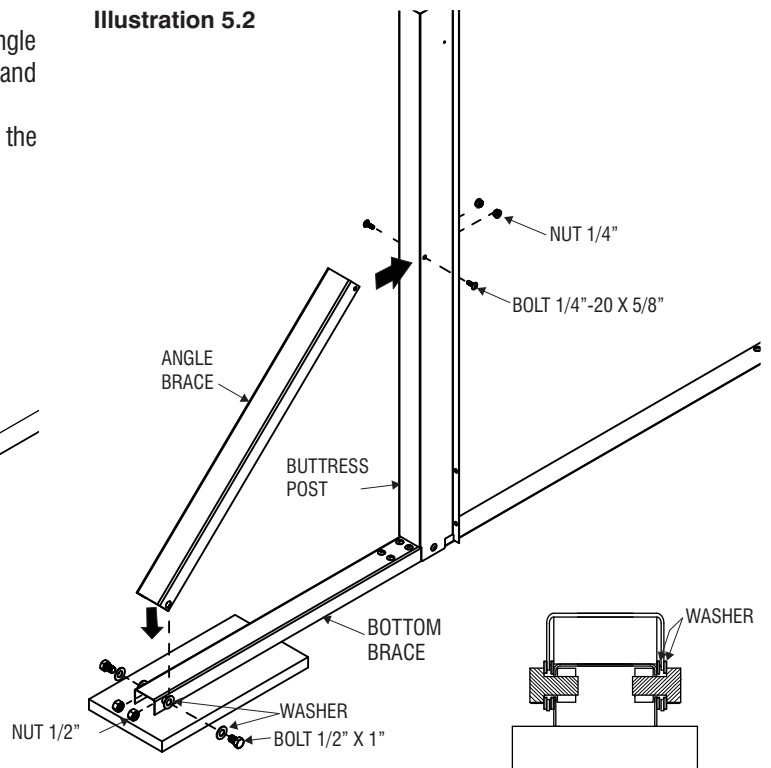
**2) Refer to Illustration 5.2.** Assemble the lower part of the angle brace using bolts and nuts 1/2" X 1" (12,7 mm X 25,4 mm) and four (4) washers, two on each side. Remember to insert one washer between the bottom brace and the angle brace.

Illustration 5.1



Next, assemble the other side of the angle brace to the buttress post with two (2) bolts and nuts (BB) 1/4" #20 X 5/8" (6,35 mm X 15,88 mm).

Illustration 5.2



# 6

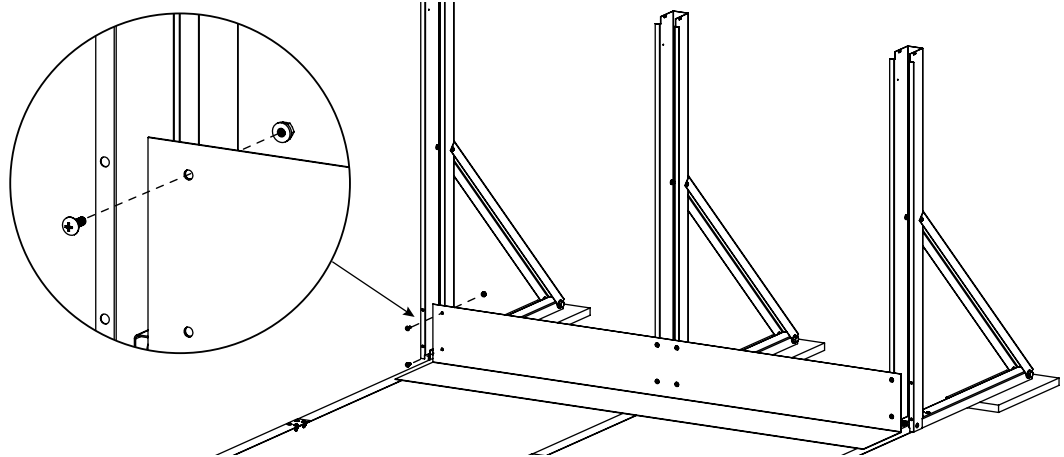
## BEARING PLATE ASSEMBLY

1) Position the buttress posts assembled in step 5 on the patio blocks in the trenches previously placed.

2) Refer to **Illustration 6.1** : Once the buttress posts are placed on the patio blocks, assemble the bearing plate in front of the but-

truss posts and on the tension straps. Fix the bearing plate using eight (8) bolts and nuts (BB) 1/4" #20 X 5/8" (6,35 mm X 15,88 mm), taking care of placing the bolt head on bearing plate and nut on buttress post.

**Illustration 6.1**



# 7

## ROUND SECTION BOTTOM TRACKS ASSEMBLY

**Start with round section, refer to illustration 7.1 :**

Inset the end of the first round section bottom track at the bottom of the last buttress post of the straight section. Place the first bottom plate of the round section, at the other end of the bottom track.

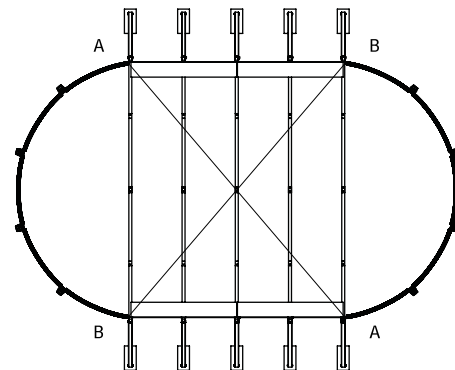
**Round section, refer to Illustration 7.2 :**

Using the round section bottom tracks and the bottom plates, start with the first plate of the round section. Repeat this procedure until the half circle is completed.

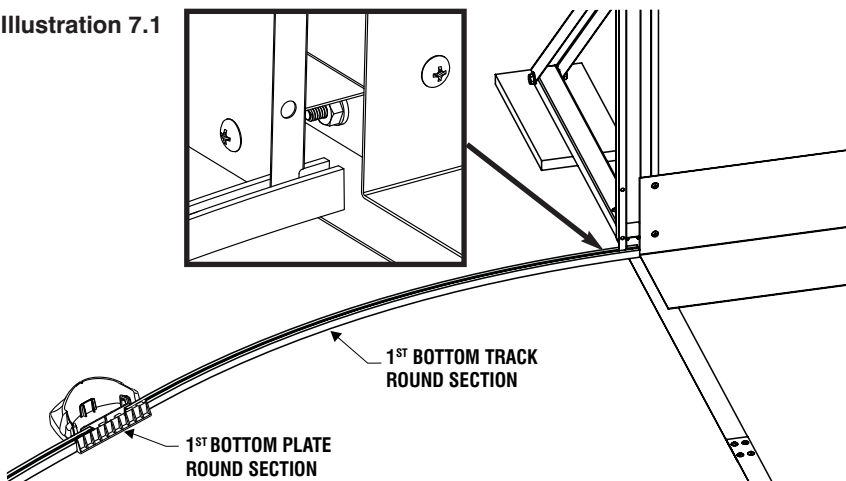
**Refer to Illustration 7.3. :**

Before going to the next step, make sure that the centre of the pool is properly squared and the metallic tension straps are straight with no buckles.

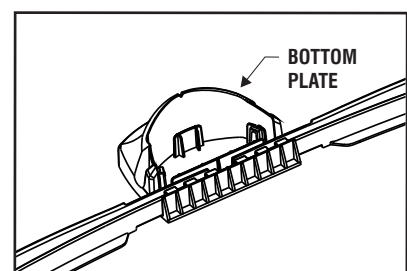
**Illustration 7.3**



**Illustration 7.1**

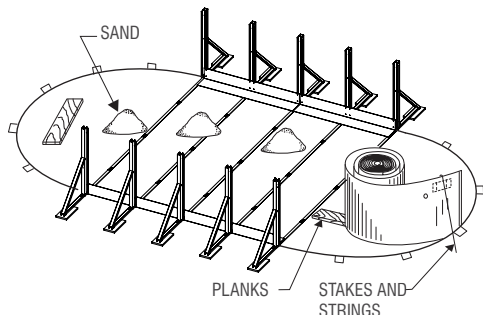


**Illustration 7.2**



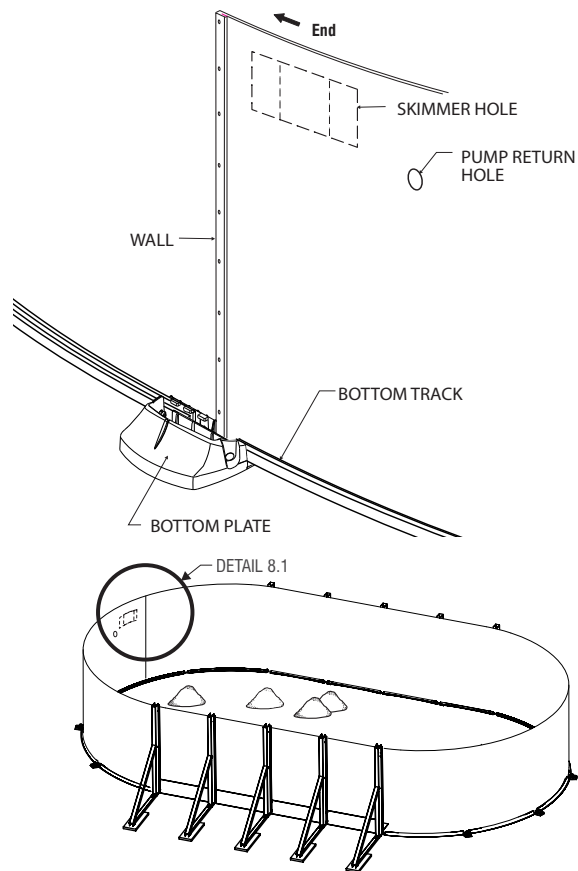
Add sand.

Choose the filter location beside a round section (never in a straight section). The starting point should be at that location where the skimmer and return holes, and as close as possible to the filtration system. **When installing the steel wall, it is important to do so in a location protected from the wind or on a day without any wind.** Before uncoiling the wall, make sure the pre-punched holes for the skimmer and pump return are at the top and facing the planned location of your filter.



Begin inserting the wall into the bottom tracks in the middle of a bottom plate. At first, the wall is kept in place with one or two stakes and strings (or extra persons). One person uncoils the wall on a beam or a plank, while a second person inserts it in the bottom tracks. Do not uncoil more than 3 m (10') of wall before you install a support bar or stake and string to reinforce the structure.

Once the wall is completely uncoiled, you may find that it is too long or that both ends do not meet by a few centimetres. If such is the case, adjust tracks and bottom plates until wall holes line up. If this does not work, roll up the wall again, check measurements as per chart 1.1, adjust tracks and plates, if applicable, and uncoil the wall again. If the spread is too wide, measure the wall and check it against the chart below.

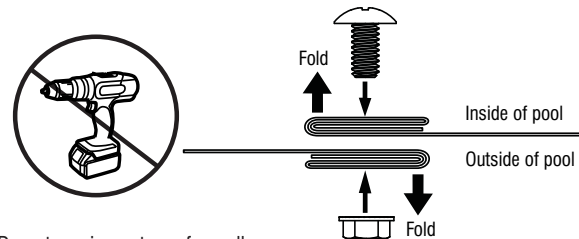
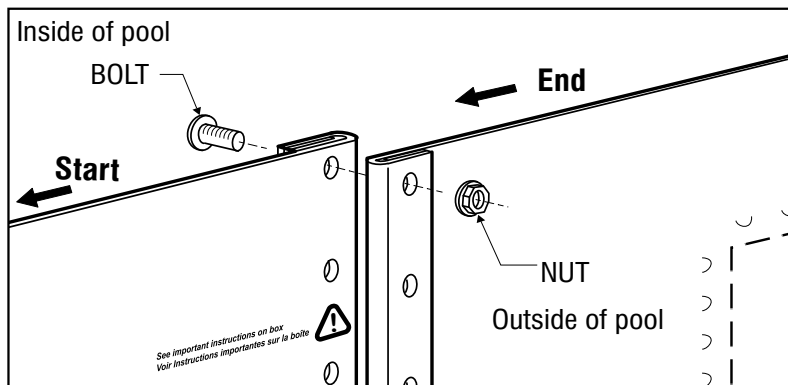


Join both ends of the wall by orienting folds outward to hide the exclamation icon. (Illustration 8.1)

**Note: If the wall is attached properly, you should no longer see the exclamation icon. If you can always see the icon, you must reverse the overlap.**

Insert bolts and nuts in every hole and tighten with wrench (screw head on water side of wall). Tape over screw heads with duck tape.

Illustration 8.1



Do not use impact gun for wall screws.  
Minimum torque force of 60 inch pounds to maximum of 85 inch pounds.

**IMPORTANT! Installing the wall joint in non-compliance with the specifications dictated by the manufacturer will void the warranty. A faulty installation will cause the wall/joint to split which could result in serious and/or fatal injuries!**

CHART OF ACTUAL LENGTHS OF STEEL WALL ACCORDING TO MODEL

8x14	8x16	8x19	10x16	10x18	10x21	12x18	12x24	12x27	13x17	13x23	14x20	14x25	15x20	15x26	15x31	16x26	16x32	18x33	18x38	18x44
36' 4 3/4"	41' 10 1/2"	47' 4 3/4"	42' 5"	47' 10"	53' 5"	50' 7"	61' 7"	66' 12"	48' 11"	59' 10"	55' 3"	66' 3"	56' 6"	67' 5"	78' 5"	71' 2"	82' 2"	86'	97'	53' 10-3/16" (x2)
(11,09m)	(12,75m)	(14,42m)	(12,92m)	(14,58m)	(16,25m)	(15,42m)	(18,77m)	(22,00m)	(19,91m)	(18,24m)	(16,84m)	(20,19m)	(17,22m)	(20,55m)	(23,90m)	(20,69m)	(25,06m)	(26,21m)	(29,56m)	(16,45m x2)

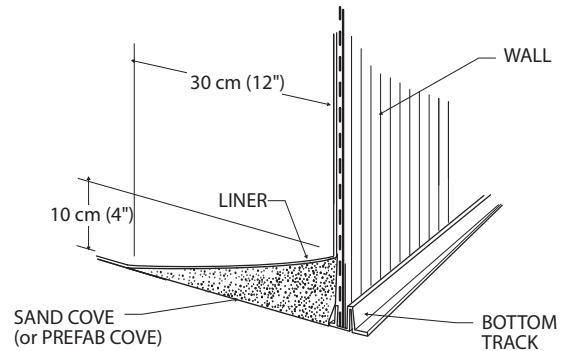
# 9

## SAND BASE FINISHING

You can now spread approximately 10 cm (4") of compacting sand all around the inside base of the wall in order to protect the liner from the cutting edges of the bottom tracks and the stone dust (if applicable), or install a prefabricated cove if available.

### SAND BASE FINISHING

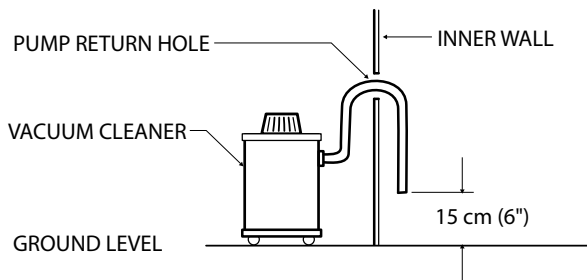
Level finishing sand one last time. Make sure that any sharp stones, debris or roots have been removed from the surface. For better protection, spray sand with water and pack it once more until the base is nicely even.



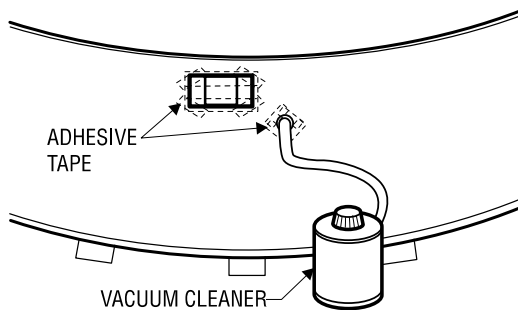
# 10

## VINYL LINER INSTALLATION

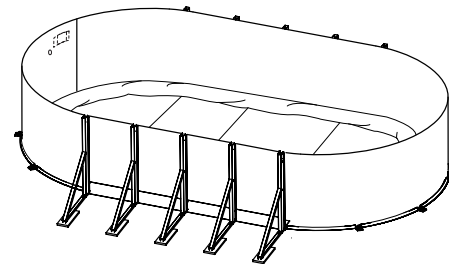
Before pulling the liner up against the wall, insert a vacuum cleaner hose down into the pump return hole to approximately 15 cm (6") from the ground.



Maintain the hose in place with adhesive tape. Don't forget to block the skimmer hole with adhesive tape to prevent air from leaking in.



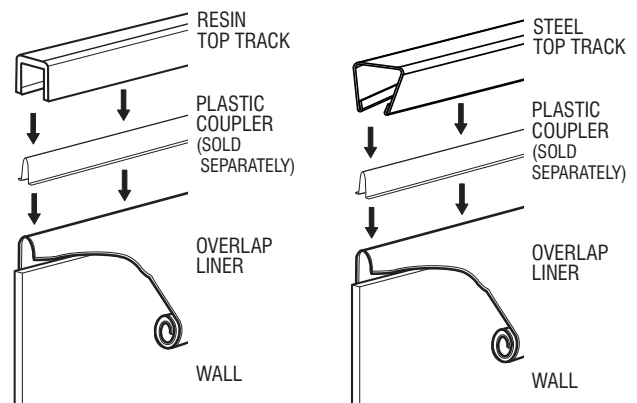
Place the unfolded liner in the center of the pool area at right angles with the skimmer hole. Make sure you wear light, flat-soled shoes to walk on the sand as the slightest heel mark could be visible once the pool is filled.



Carefully unfold the liner, bringing the bottom-sidewall seam close to the wall base. Make sure that the side with the protruding seams faces downward or that the patterned side faces upward.

Lift up a section of the liner over the top of the wall leaving a 10 cm to 15 cm (4" to 6") fringe outside the wall. Secure the liner with a plastic coupler (sold separately). Install the top track on the wall then install the top plates on top of each upright.

At this point, the liner may be too tight, making it difficult to drape the overlap or, on the contrary, too loose. In such cases, you will have to redistribute the tension in the liner by removing some of the couplers and readjusting the liner.



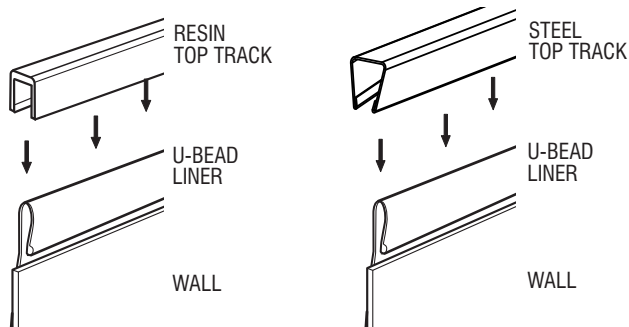


# 10

## VINYL LINER INSTALLATION (continued)

Installation detail of a bead liner with top track.

Hang the liner on the top of the wall and install the top track to secure.



Start the vacuum cleaner to allow the liner to adhere to the wall and check for excess tension at the bottom or for wrinkles. Adjust the liner by removing wrinkles if needed, lift or lower it in order to ensure a perfect fit.

Fill the pool with water up to the base of the wall before stopping

and removing the vacuum cleaner.

### PUMP RETURN FITTING

After you remove the vacuum cleaner, you may install the return fitting. Place the return fitting ring against the liner and adjust it so that it is perfectly aligned with the hole in the wall. When the ring is properly positioned and secured, cut the liner in the middle of the ring.

Insert the return fitting from the inside, placing the first gasket between the return fitting and the liner and the second between the wall and the liner. Then tighten the outside ring with large pliers, taking care not to crease the liner.

### BOTTOM DRAIN (optional)

Find the holes through the middle of the liner and screw the ring and gasket in against the liner before cutting the liner in the middle of the ring, then screw on the drain cover.

# 11

## UPRIGHT POST INSTALLATION

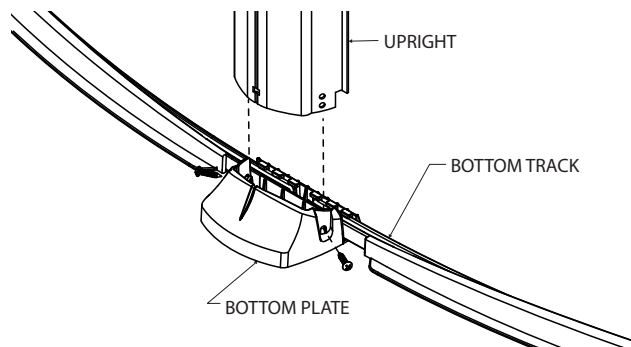
### For the round section:

Clip the uprights to the bottom plates.

Make sure the upright is well snapped into the bottom plate.

For models with screw; secure the uprights in place using two (2) screws "Z".

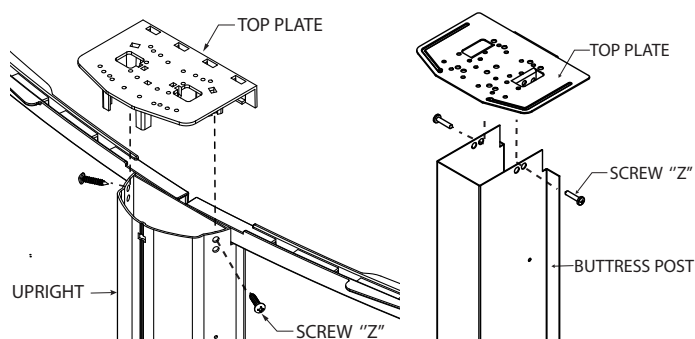
Uprights must be installed inside the bottom plate.



# 12

## UPRIGHT POST TOP PLATE

Install the top plate into the upright, in the round and straight section, and secure with two (2) screws "Z" on each side.





# 13

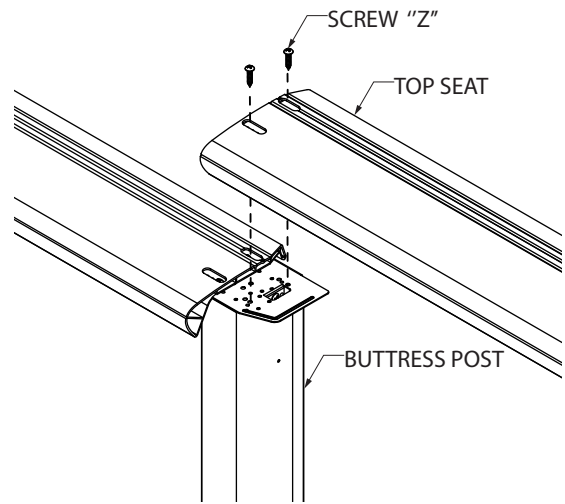
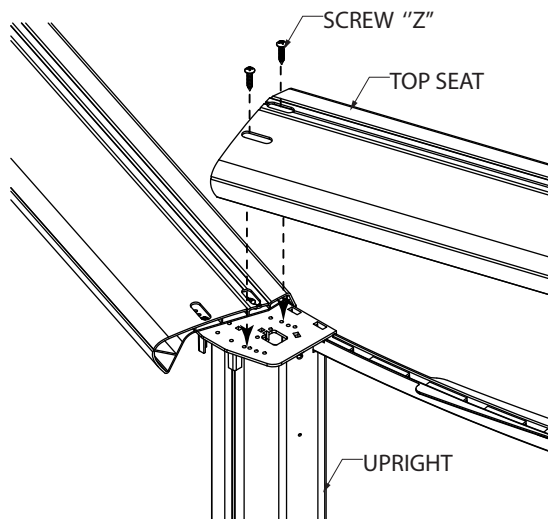
## TOP SEAT INSTALLATION

Place the top seats on the top of the uprights. Center the top seat between the two the uprights and be certain to evenly distribute the ledges all around.

Be sure to have a vertical (plumb) upright before fixing the top seat.

Secure the top seat in place using four (4) screws "Z".

Same installation procedure for the straight section.



# 14

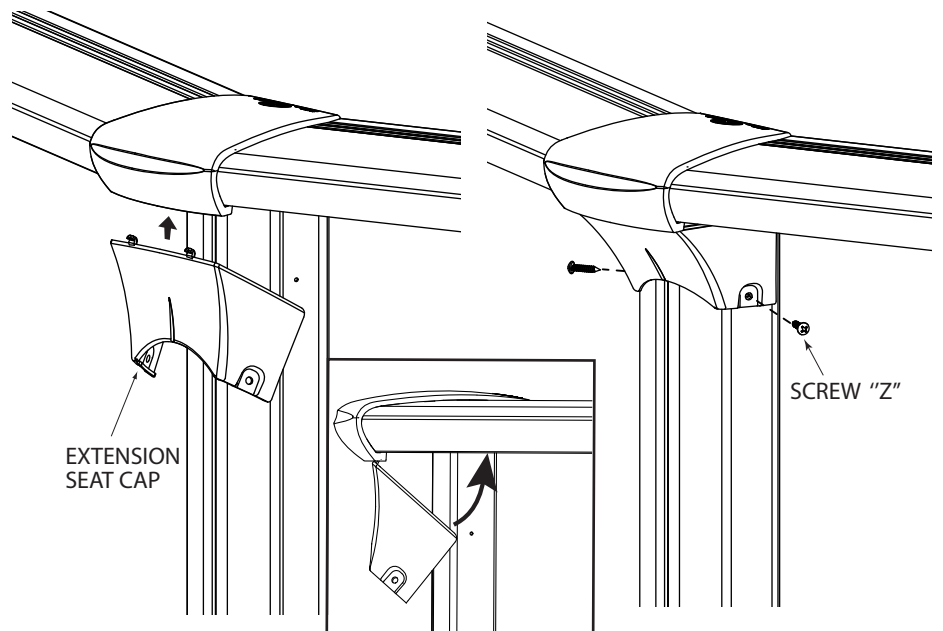
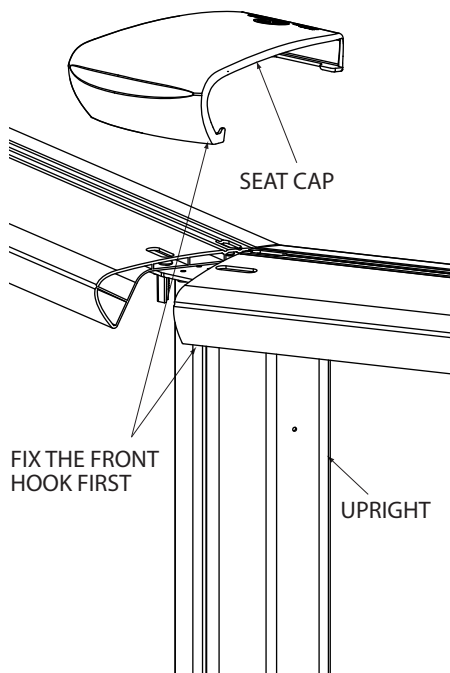
## SEAT CAP INSTALLATION

Snap the seat cap starting outside the top seat. Then snap the other side inside the top seat.

Snap the two front hooks of the seat cap extension in the two holes under the seat cap.

Secure the seat cap extension in place using two (2) screws "Z".

Same installation procedure for the straight section.

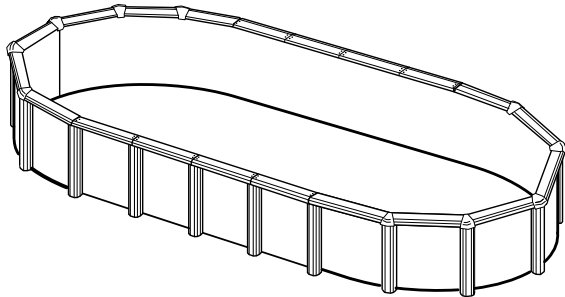


# 15

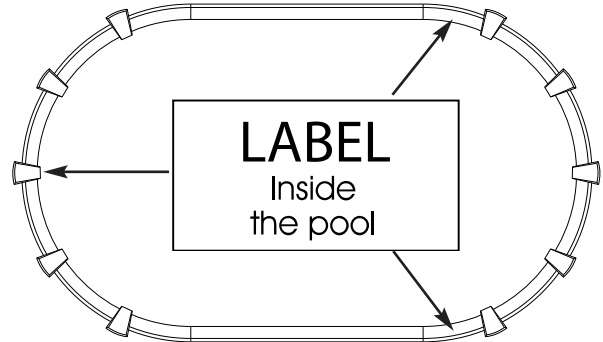
## SECURITY LABELS INSTALLATION

Install the four (4) safety labels (DANGER) supplied with your pool as follows: two (2) labels visible at the entrance to the pool and two (2) visible at the main access of the backyard.

**Important:** if you require additional labels, please contact us at [www.aquarianpool.com](http://www.aquarianpool.com)



Install a minimum of three (3) safety labels (supplied with the liner) inside the pool so that at least one label is visible no matter where the bather enters the water (see drawing for positioning)



# 16

## FILTRATION SYSTEM ASSEMBLY

Assemble skimmer, inlet, drain, filter, pumps, hoses according to separate manufacturer's instructions.

**Note:** See 'Safety Information' Manual.

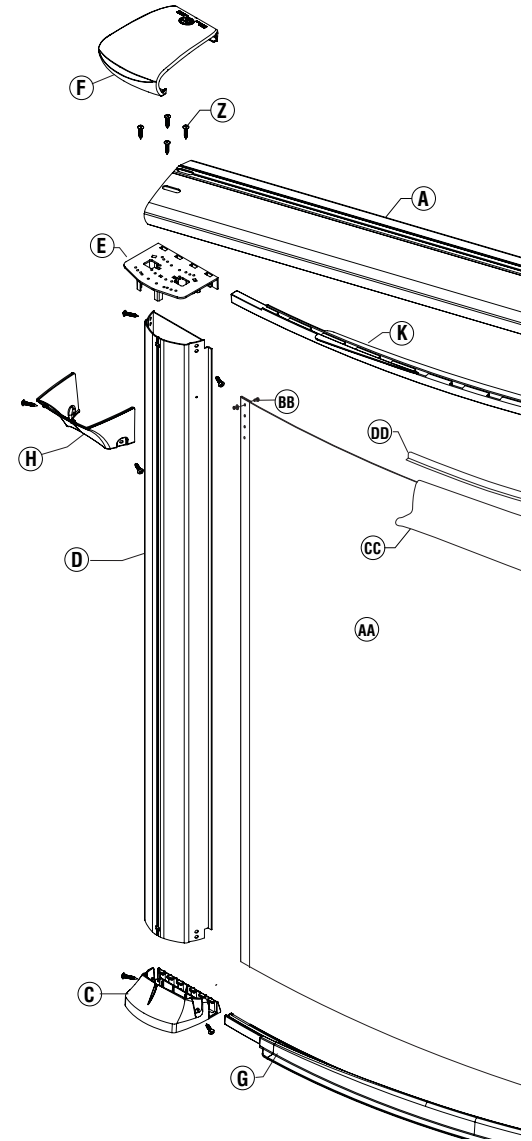
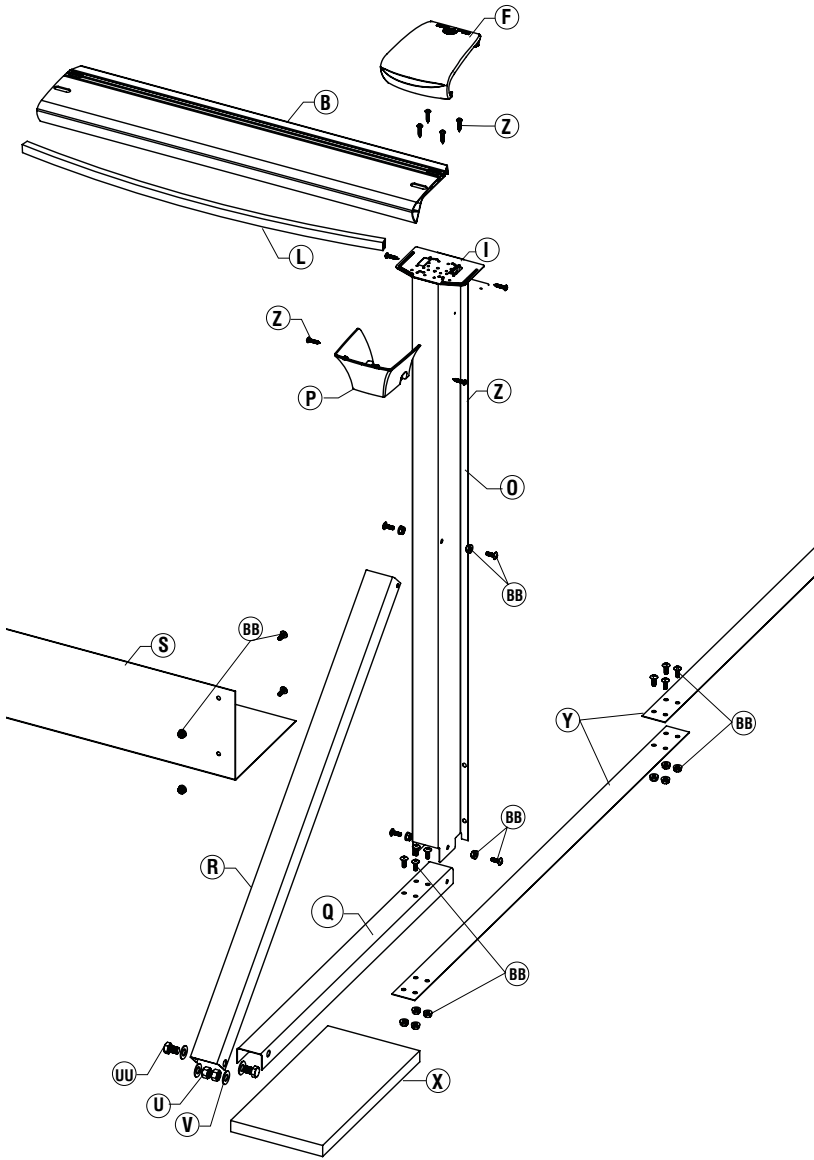
\* SEE DRAWING PARTS NEXT PAGE

ITEM	DESCRIPTION
AA	POOL WALL (finished length, inch)
BB	BOLT & NUT FOR 52" (OR 54") WALL
CC	POOL LINER
DD	PLASTIC COUPLER (SOLD SEPARATELY)
A	TOP SEAT - ROUND SECTION
B	TOP SEAT- STRAIGHT SECTION
C	BOTTOM PLATE - ROUND SECTION
D	UPRIGHT 52" or UPRIGHT 54"
E	TOP PLATE - ROUND SECTION
F	SEAT CAP
G	BOTTOM TRACK - ROUND SECTION
H	SEAT CAP EXTENSION - ROUND SECTION
I	TOP PLATE - STRAIGHT SECTION
K	TOP TRACK - ROUND SECTION
L	TOP TRACK - STRAIGHT SECTION
<b>BUTTRESS ASSEMBLY</b>	
O	BUTTRESS POST
P	SEAT CAP EXTENSION - STRAIGHT SECTION
Q	BOTTOM BRACE
R	ANGLE BRACE
S	BEARING PLATE
U	BOLT 1/2" X 1" (12,7 mm X 25,4 mm)
UU	NUT 1/2" (12,7 mm)
V	WASHER 1/2" (12,7 mm)
X	PATIO BLOCK
Y	TENSION STRAP
BB	1/4" #20 X 5/8" (6,35 mm X 15,88 mm) SCREW & FLANGE NUT
Z	STANDARD SCREW (SCREW #14 , 1" LENGTH)

**NOTE: Please confirm quantities with checklist included in each box.**

## STRAIGHT SECTION

## ROUND SECTION



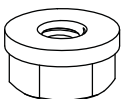
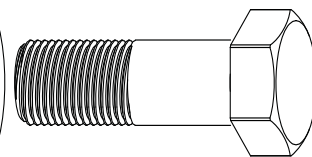
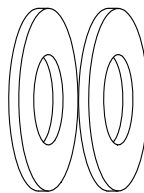
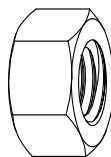
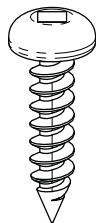
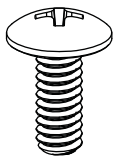
**BB**

**Z**

**UU**

**V**

**U**



# **SAFETY AND FUN GO TOGETHER!**

## **SAFETY INFORMATION**

Read this before installing your above-ground pool.



## GENERAL INFORMATION

The pool is subject to wear and deterioration if not maintained properly. Certain types of excessive or accelerated deterioration can lead to failure of the pool's structure, which may release large quantities of water that could cause bodily harm, death and property damages.

In order to ensure proper water drainage around the pool, a 2-degree slope needs to be erected around the perimeter of the pool. THE MANUFACTURER WILL NOT BE HELD RESPONSIBLE FOR ANY LIABILITY SHOULD THIS STEP BE OMITTED.

Before installing your pool, you should check local regulations such as building codes, zoning requirements and electrical codes to determine whether a building permit or electricity permit is required to install your pool. Local regulations may ask you to make sure your backyard meets set-back requirements, install gates, barriers or other safety devices, or meet other conditions.

**WARNING: All pool components, such as the filtration system, pump and heater and other objects, should be positioned so that people cannot use them to gain access to the pool or the deck. Positioning such objects too close to the pool may allow people access to the pool while unattended and may cause them serious injury or death.**

We strongly recommend having your pool installed by a professional. We are not responsible for faulty installation of the pool, we are not affiliated with any pool installer and assume no responsibility or liability for the purchaser's or a professional installer's errors in installing your pool. **NO DIVING, NO JUMPING and PREVENT DROWNING** stickers are provided with your pool. These stickers must be affixed to the interior of the pool above the water line, or any place where the pool users can see them clearly before entering the pool. If you need more stickers or if some are missing, you can order these at [www.aquarianpool.com](http://www.aquarianpool.com)

Although we do not manufacture pool ladders, every pool must have an ANSI APPROVED pool ladder for proper entering and exiting of the pool. The proper use of the pool ladder by pool users is an integral part of general pool safety (Please refer to your pool ladder safety instructions).

## SAFETY EQUIPMENT

**For your protection and for the safety of others, we recommend that lifesaving equipment be on hand near the pool at all times.**

**We recommend that you purchase one of the following:**

A light, strong and rigid pole, frequently referred to as a Shepard's Crook, at least twelve feet long or a throwing rope at least ¼ inch in diameter and as long as 1.5 times the maximum width or diameter of your pool. The rope should be firmly attached to a coast guard-approved buoy with an outside diameter of approximately 15 inches.

## LADDER SAFETY

**Although we do not manufacture ladders, the proper use of the ladder by pool users is an integral part of general pool safety.**

**NSPI standards require all pools to have an approved ladder attached for proper access to and from the pool. The purchaser should follow the pool ladder manufacturer's installation instructions.**

**Please follow these rules regarding the use of the ladder:**

- Only one person on the ladder at a time.
- The user should face the ladder whether going in or out of the pool.
- **NO DIVING or JUMPING** from the ladder steps or the ladder's platform.
- Check all nuts and bolts regularly to make sure the ladder is safe.
- Inform others of the rules pertaining to the use of ladder and steps.



# USAGE SAFETY INFORMATION

- 1** • Share safety instructions with family, friends, pool watchers or neighbors.
- 2** • The installer of the vinyl liner shall affix on the original or replacement liner, or on the pool structure, all safety signs in accordance with the manufacturer's instructions. The safety labels shall be placed above the water line.
- 3** • Never dive, jump or slide into an above ground swimming pool. Diving, jumping or sliding may result in permanent injury or death. Use a pool ladder or step to enter the pool smoothly, feet first. The owner must follow the ladder manufacturer's instruction and safety warning.
- 4** • Never swim alone.
- 5** • Don't enter the pool if you have been using alcohol or drugs, because your reaction time may be too slow.
- 6** • Adult supervision is always necessary. Never take your eyes off children or swimmers in the water or near the pool, not even for a minute. Designate an adult "pool watcher". Make sure that you or your pool watcher are able to intervene in less than 10 seconds to save a life or avoid injury.
- 7** • If a child is missing; always look in the pool first.
- 8** • Be proactive to prevent death or disability.
- 9** • The pool owner or "pool watcher" should learn CPR (CardioPulmonary Resuscitation) and should teach children and other people how to swim.
- 10** • Winter or solar covers are not intended to act as safety barriers. The cover must be completely removed when the pool is in use. A person may become trapped under a pool cover, which may result in severe bodily injuries, including death.
- 11** • Keep rescue equipment such as life rings and reaching poles etc, by the pool. Please consult you municipality to get a rescue equipment list.
- 12** • An emergency phone number such as: nearest available police, fire, ambulance and/or rescue unit, must be visible from pool area. A functioning and/or cellular phone must be reachable within 10 seconds.
- 13** • Avoid entrapments. Suction from a pool drain or skimmer can trap an adult or children underwater:
  - Hair can get caught in faulty drain cover.
  - Arms, legs and fingers can become lodged in a suction opening.
  - Any body part that can cover a drain can cause injuries.
  - Jewelry or bathing suits can become entangled in a faulty drain cove.A pool with broken, loose, missing or non compliant drain cover should be considered as dangerous and should not be used.
- 14** • Lighting, when installed, shall be in concordance with the National Electrical Code.
- 15** • During nighttime pool use, artificial lighting must be used to illuminate pool, all safety signs, ladders, steps, deck surface and walkways.
- 16** • All electrical appliances must be kept away from the pool, and not be reachable by pool users.
- 17** • The pool deck should be kept clean and clear of objects to avoid tripping or slipping. The deck should have a non-slip surface.
- 18** • Do not sit, dive, climb or stand on the top rails of the pool.
- 19** • It is important that all users be able to see the bottom of the pool. Foggy water must be cleared up before entering the pool.
- 20** • Steps and pool ladders should be secured and locked or removed when the pool is not in use. Swimming pool barriers or fences with self-latching and self-closing gates which prohibit children or other people from gaining access to the pool must be installed around the pool to avoid injury or death. The latch should be out of reach of children. Consult your municipality for more details and specifications.